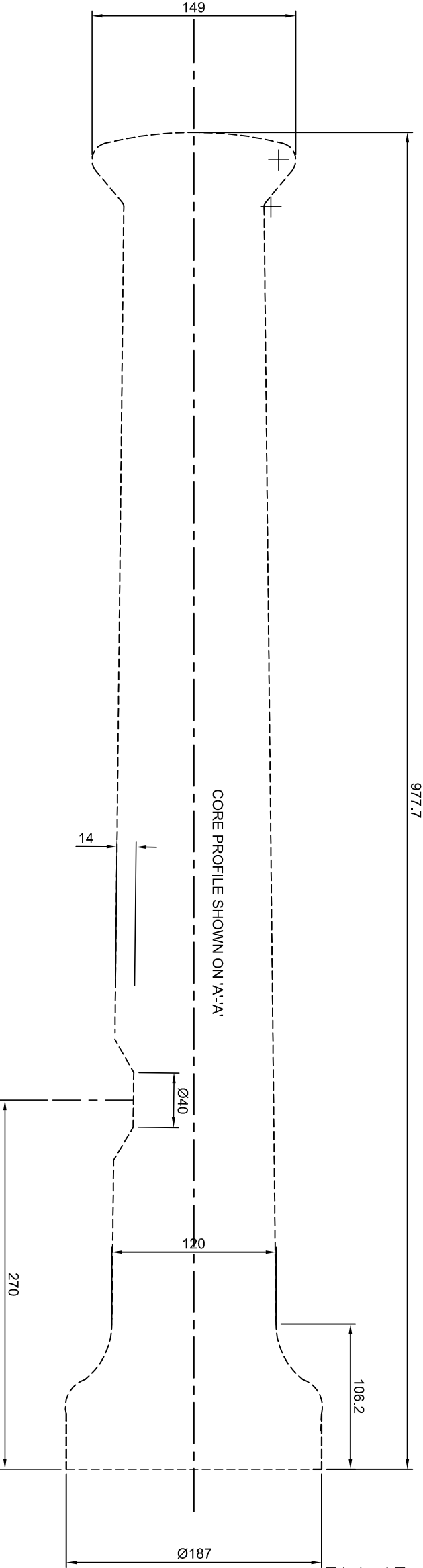
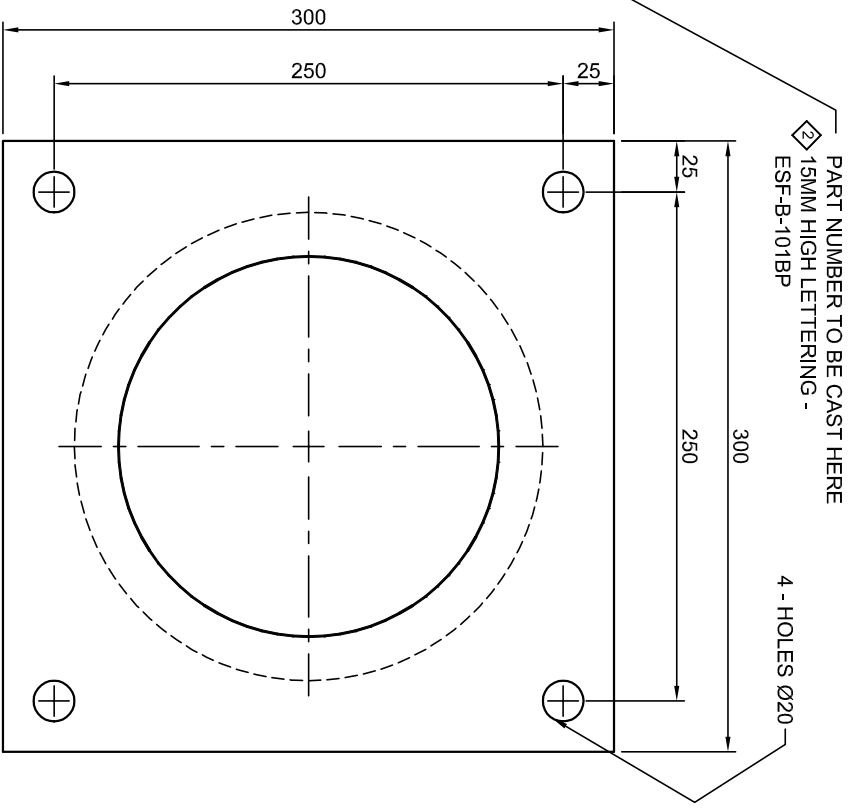
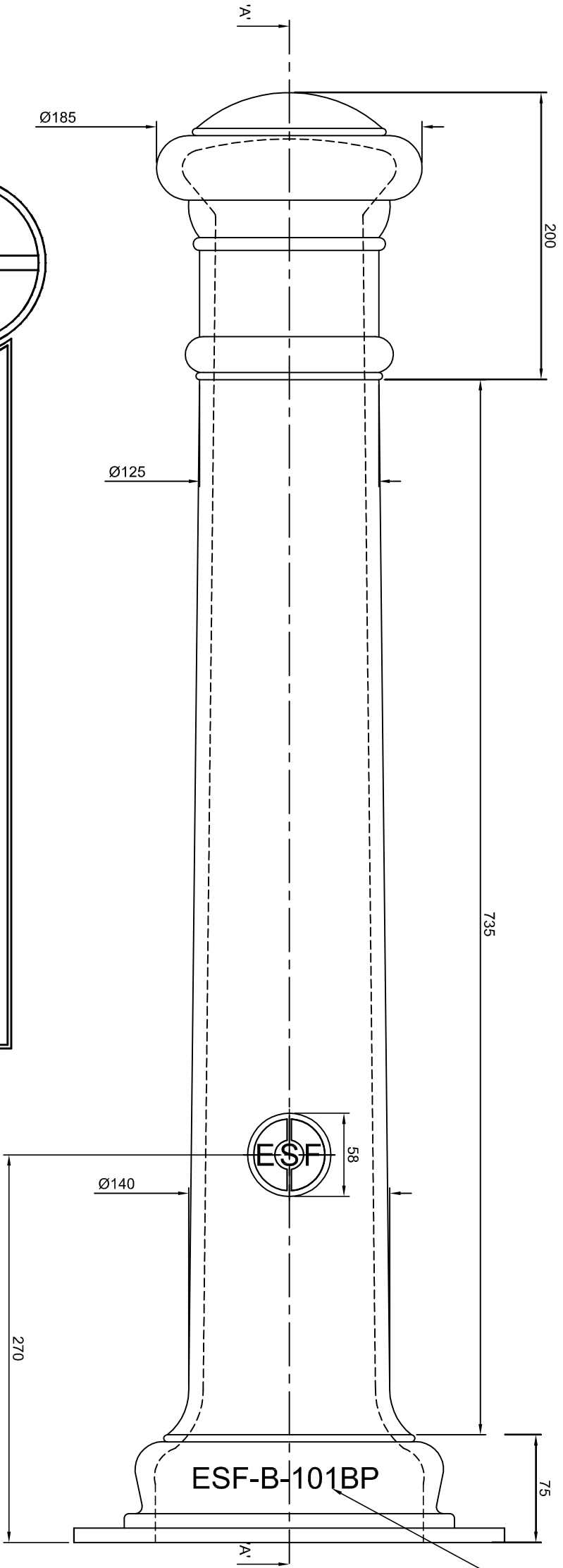


1 2 3 4 5 6 7 8 9 10 11 12



MATERIAL:- CAST IRON GR250 TO BE FILLED AND PRIMED
 THICKNESS:- 10MM UNLESS OTHERWISE SPECIFIED
 ALL UNSPECIFIED DRAFT ANGLES RTO BE 3 DEGREES
 ALL UNSPECIFIED RADII TO BE 3mm TO 5mm
 FINISH:- TO BE SPECIFIED



ESF
 environmental street furniture

Phone: +44 (0)845 606 6095 Fax: +44 (0)845 072 5510 Website: www.worldofesf.com

TITLE: MANCHESTER BOLLARD WITH BASE PLATE	
DRAWN: KAM	DRAWING NUMBER: ESF - B - 101BP - A
Date: 19.12.08	